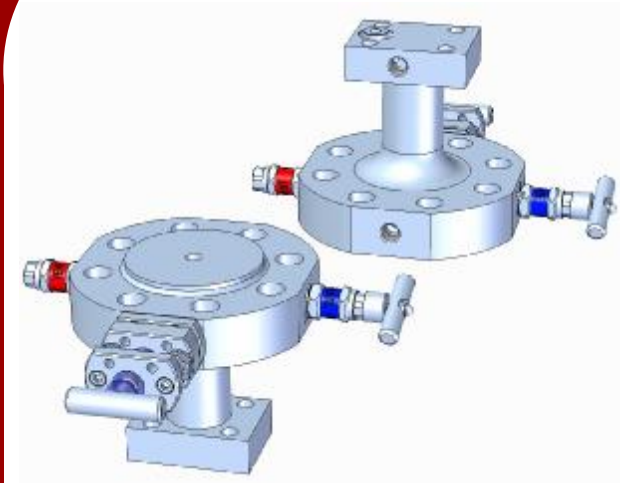


## Model MP21 "Half DIN19213"



### Design Features

- Self aligning metal seats
- Compact Design
- Non-rotating spindle tip
- Metal seal between body and bonnet
- Bonnet Locking pins
- Safety back seating T-Bar and Anti-Tamper operated valves
- Fire safe O.S.&Y Primary valve
- Full traceability of all materials
- 100% pressure tested

### Description

#### **The Multi Instruments Slimline Monoflange Manifold**

This slimline monoflange is designed to replace the primary and secondary Process valve assemblies which are usually needed for Absolute pressure instruments with a Half DIN19213 (no atmospheric port) connection.

It is a combination of the primary process isolation valve (O.S.&Y), an optional bleed, optional secondary valve and 2-valve manifold, all integrated in one forged body.

The main advantages are less leaking points, weight saving and reduction in installation and maintenance time and costs.

Maximum working pressure is 420 Bar

Maximum temperature is 200°C

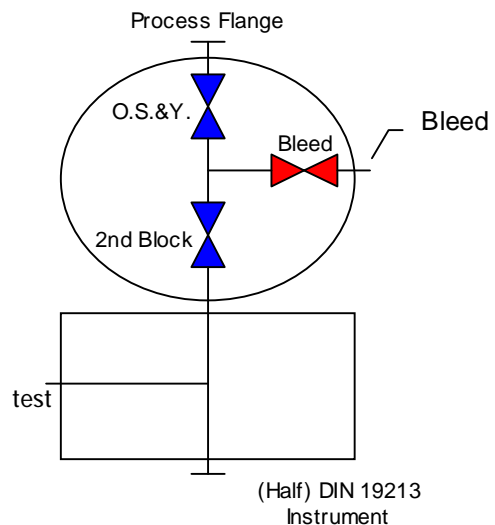
### Connections

Vent and/or test ports will always be 1/4" thread size, independent of process connection sizes. See ordering information on the back of this specification sheet for port connection types available.

### Options

- Flanges according DIN and ANSI
- Flange sizes from 1/2" up to 3"
- Pressure rating from 150# up to 2500#.
- Available in Monel, Hastelloy, Duplex or NACE compliant materials.
- Body enclosure and EEx manifold heater
- High temperature up to 450°C
- High pressure up to 10.000 PSI

### Valve Diagram



Call us at +31 (0)183 62 88 88, or email to [instrumentation@multi-instruments.com](mailto:instrumentation@multi-instruments.com)  
for additional information, or visit us at [www.multi-instruments.com](http://www.multi-instruments.com)

## Model MP21 "Half DIN19213"

### Model number selection guide

MP21	•	DBB	•	OSY	•	SG	•	A0610	•	ISO	•	YP
------	---	-----	---	-----	---	----	---	-------	---	-----	---	----

<p><b>Pressure Rating</b></p> <ul style="list-style-type: none"> <li>• 01 150# / PN6</li> <li>• 03 300# / PN10</li> <li>• 06 600# / PN16</li> <li>• 09 900# / PN40</li> <li>• 15 1500# / PN100</li> <li>• 25 2500#</li> </ul>	<p><b>Flange Size</b></p> <ul style="list-style-type: none"> <li>• 03 1/2" / DN15</li> <li>• 04 3/4" / DN20</li> <li>• 05 1" / DN25</li> <li>• 10 2" / DN50</li> <li>• 20 3" / DN80</li> </ul>
<p><b>Flange Standard</b></p> <ul style="list-style-type: none"> <li>• .A ANSI</li> <li>• .D DIN</li> </ul>	<p><b>Instrument Interface Options</b></p> <ul style="list-style-type: none"> <li>• .ISO DIN19213 part 2</li> </ul>
<p><b>Material</b></p> <ul style="list-style-type: none"> <li>• .SG AISI316L NACE</li> <li>• .M Monel</li> <li>• .H Hastelloy</li> <li>• .D Duplex</li> <li>• .X Special</li> </ul>	<p><b>NOTES</b></p> <ul style="list-style-type: none"> <li>* For 3051CA and CG model MP22 is universal preferred.</li> <li>* For DIN19213 flanged instruments needing an atmospheric DIN port please select the MP22 model.</li> <li>* This model is <u>NOT</u> available for Integral mounting 3051 Instruments, please use MP22 model for this instrument type.</li> </ul>
<p><b>Primary Valve Type</b></p> <ul style="list-style-type: none"> <li>• .OSY OS&amp;Y Valve</li> <li>• .NVP Needle Valve PTFE</li> <li>• .NVG Needle Valve Graphoil</li> </ul>	<p><b>IMPORTANT</b></p> <p>A dummy DIN flanged GP instrument will <u>NOT</u> fit on a full DIN19213 interface like the MP22...ISO model because of the raised DIN spigots in this flange !</p>
<p><b>Primary Valve(s) Function</b></p> <ul style="list-style-type: none"> <li>• .SB Single Block</li> <li>• .SBB Single Block/Bleed</li> <li>• .DB Double Block</li> <li>• .DBB Double Block/Bleed</li> <li>• .DBV Double Block/Vent</li> </ul>	<p><b>Manifold Valve(s) Operation Mode</b></p> <ul style="list-style-type: none"> <li>• .YP Mixed PTFE seal</li> <li>• .YG Mixed Graphoil seal</li> <li>• .TP All T-Bar PTFE seal</li> <li>• .TG All T-Bar Graphoil seal</li> </ul>
<p><b>Manifold Function</b></p> <ul style="list-style-type: none"> <li>• MP21 Isolate/Vent manifold function</li> </ul>	<p><b>NOTES</b></p> <ul style="list-style-type: none"> <li>* OS&amp;Y is always T-Bar/Graphoil, Mixed only Vent is Anti-Tamper.</li> <li>* PTFE &lt;200°C, Graphoil &lt;450°C</li> </ul>