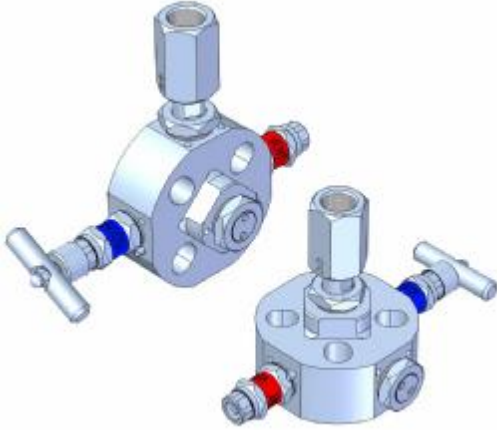


Model IVGA01



Design Features

- Self aligning metal seats
- Compact Design
- Non-rotating spindle tip
- Metal seal between body and bonnet
- Bonnet Locking pins
- Horizontal & Vertical Gauge Adapter port
- Safety back seating T-Bar and Anti-Tamper operated valves
- Full traceability of all materials
- 100% pressure tested

Description

The Multi Instruments Isovent Gauge Adapter Valves

The Multi Instruments Monoflange Isovent Gauge Adapter valve is a needle pattern valve with a non-rotating spindle tip, ensuring a positive bubble tight shut-off function. Standard valves in stainless steel are suitable for most process applications, however for severe applications, needle valves in "exotic" materials are available.

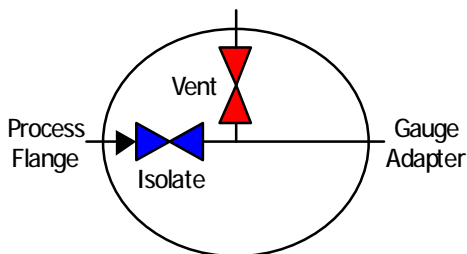
Maximum working pressure is 420 Bar

Maximum temperature is 200°C

Options

- Anti tamper facility with a removable T-bar key to prevent unauthorized operation of the valve.
- Sour Gas Service
- Oxygen Service
- Available in Monel, Hastelloy, Duplex or NACE compliant materials.
- High temperature up to 450°C
- High pressure up to 680 Bar

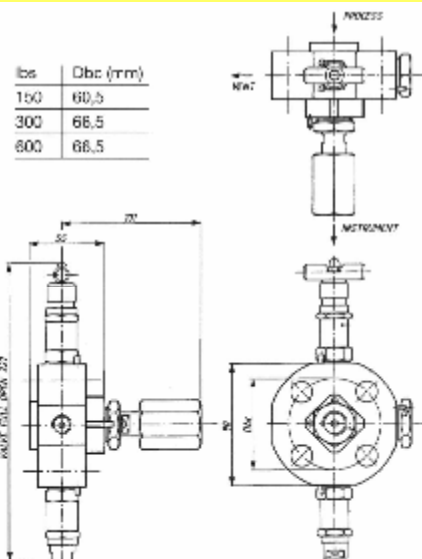
Valve Diagram



Connections

See ordering information on the back of this specification sheet for port connection types available.

Valve Drawing



Call us at +31 (0)183 62 88 88, or email to instrumentation@multi-instruments.com for additional information, or visit us at www.multi-instruments.com

Model IVGA01

Model number selection guide

IVGA01 . SG . A03 . 03NF . 01N . YP . SY

Vent Port Options

- .01N 1/4" NPT female
- .01BP 1/4" BSP.P female

Gauge Adapter Options

- .03NF 1/2" NPT female
- .03BPF 1/2" BSP.P female
- .03DF 1/2" DIN16288 fem.
- .X Special

Process Connector Options

- .A03 1/2" RF ANSI
- .A04 3/4" RF ANSI
- .A05 1" RF ANSI
- .X Special

Material

- .SG AISI316L NACE compliant
- .M Monel
- .H Hastelloy
- .D Duplex
- .X Special

Model Description

- IVGA01 Isovent Gauge Adapter
150 – 600#

Valve Operation Mode

- .TP T-Bar PTFE
- .TG T-Bar Graphoil
- .AP Anti-Tamper PTFE
- .AG Anti-Tamper Graphoil
- .YP Mixed PTFE
- .YG Mixed Graphoil

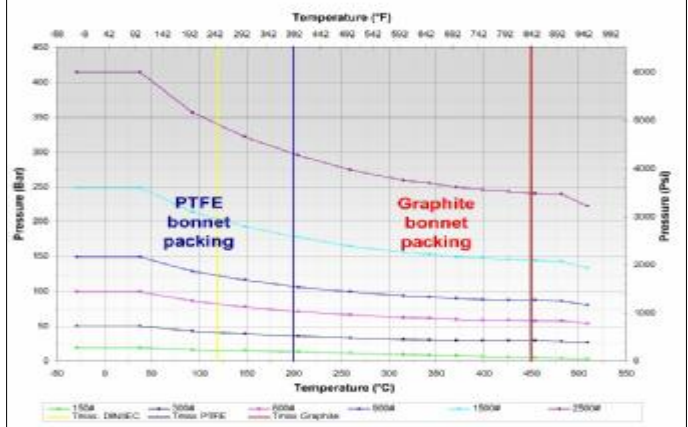
NOTES

* PTFE <200°C, Graphoil <450°C

Valve Options

- .OS Oxygen Service
- .SY Syphon in Gauge Adapter

Temperature / Pressure ratio for AISI316 acc. ASME B16.34
Table 2-2.2A Standard Class



MESC Models

- 60.98.55.200.1 LPR, PTFE Packings, 1/2"NPT
IVGA01.SG.A03.03NF.01BP.YP
- 60.98.55.220.1 LPR, PTFE Packings, 1/2"BSP.P
IVGA01.SG.A03.03BPF.01BP.YP
- 60.98.55.300.1 LPR, PTFE Packings, 1/2"NPT, Syphon
IVGA01.SG.A03.03NF.01BP.YP.SY
- 60.98.55.320.1 LPR, PTFE Packings, 1/2"BSP.P, Syphon
IVGA01.SG.A03.03BPF.01BP.YP.SY

SHELL