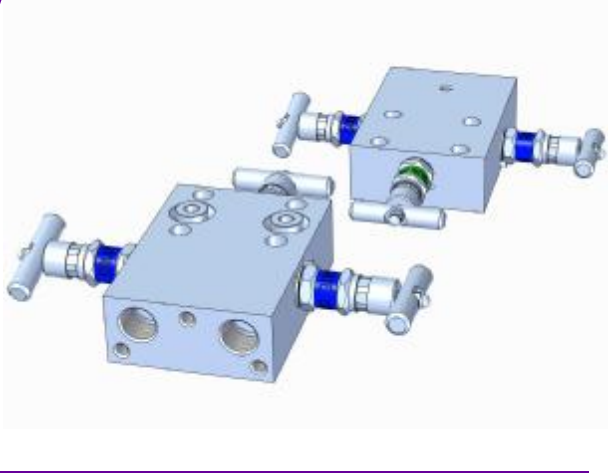


Model MD33F



Design Features

- Self aligning metal seats
- Compact Design
- Non-rotating spindle tip
- Metal seal between body and bonnet
- Bonnet Locking pins
- Safety back seating T-Bar and Anti-Tamper operated valves
- Full traceability of all materials
- 100% pressure tested

Description

The Multi Instruments Flat Model Manifolds

This compact flat model 3-valve manifold is designed to accommodate any DIN19213 part 2 instrument interface compliant differential pressure transmitter.

This manifold is usually fitted into a full glass reinforced polyester cabinet like CAB1 and CAB2.

This manifold is standard produced in AISI316 material, but "exotic" materials are also available.

Maximum working pressure is 420 Bar

Maximum temperature is 200°C

Options

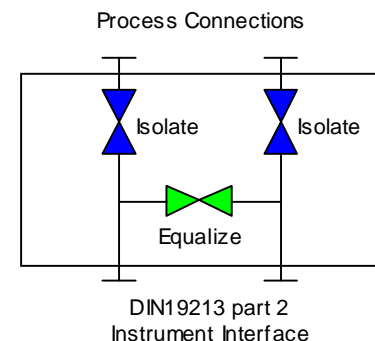
- Anti tamper facility with a removable T-bar key to prevent unauthorized operation of the valve
- Sour Gas Service
- Available in Monel, Hastelloy, Duplex or NACE compliant materials.
- Glass reinforced polyester cabinets available
- EEx cabinet heaters available
- Cabinet Insulation available
- High temperature up to 450°C
- High pressure up to 680 Bar

Connections

Vent and/or test ports will always be 1/4" Thread size, independent of process connection sizes.

See ordering information on the back of this specification sheet for port connection types available.

Valve Diagram



Call us at +31 (0)183 62 88 88, or email to instrumentation@multi-instruments.com
for additional information, or visit us at www.multi-instruments.com

Model MD33F

Model number selection guide

MD33F . SG . N03 . ISO . TP

Manifold Valve(s) Operation Mode

- .YP Mixed PTFE seal
- .YG Mixed Graphoil seal
- .TP All T-Bar PTFE seal
- .TG All T-Bar Graphoil seal

NOTES

- * Isolate valve is T-Bar operated, in Mixed only Vent valve is Anti-Tamper.
- * PTFE <200°C, Graphoil <450°C

Instrument Interface

- .ISO DIN19213 part 2
- .IM Integral Mounting

Process Connector Options

- .N01 1/4" NPT Female
- .N02 3/8" NPT Female
- .N03 1/2" NPT Female
- .BP01 1/4" BSP.P Female
- .BP02 3/8" BSP.P Female
- .BP03 1/2" BSP.P Female
- .X Special

Material

- .SG AISI316L NACE compliant
- .M Monel
- .H Hastelloy
- .D Duplex
- .X Special

Manifold Function

- MD33F Flat Model Double Isolate/Equalize.

